

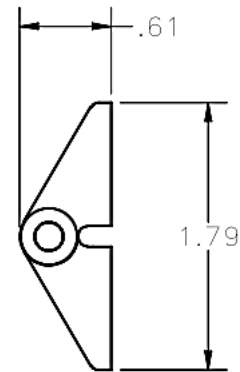
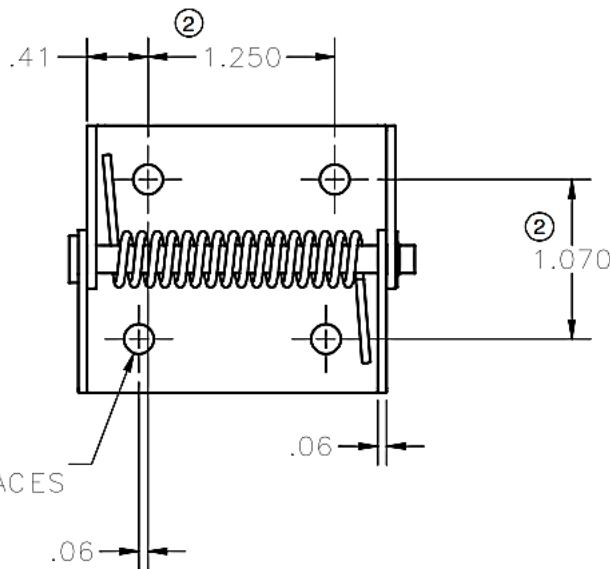
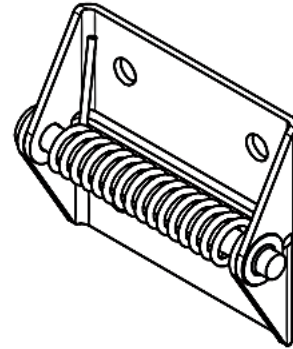
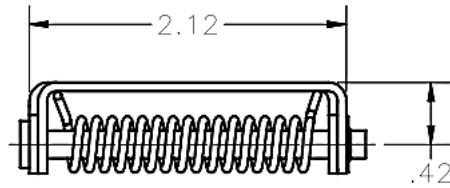
## 6705 Spring Hinge

### Features

- Carbon steel hinge assembly with stainless steel spring
- Two spring types available - light and heavy duty

### Material

- Body: Carbon steel
- Spring: Stainless steel



Part No.	Type
6705	Light stainless steel spring
1-6705	Heavy stainless steel spring

Dimensions in inches